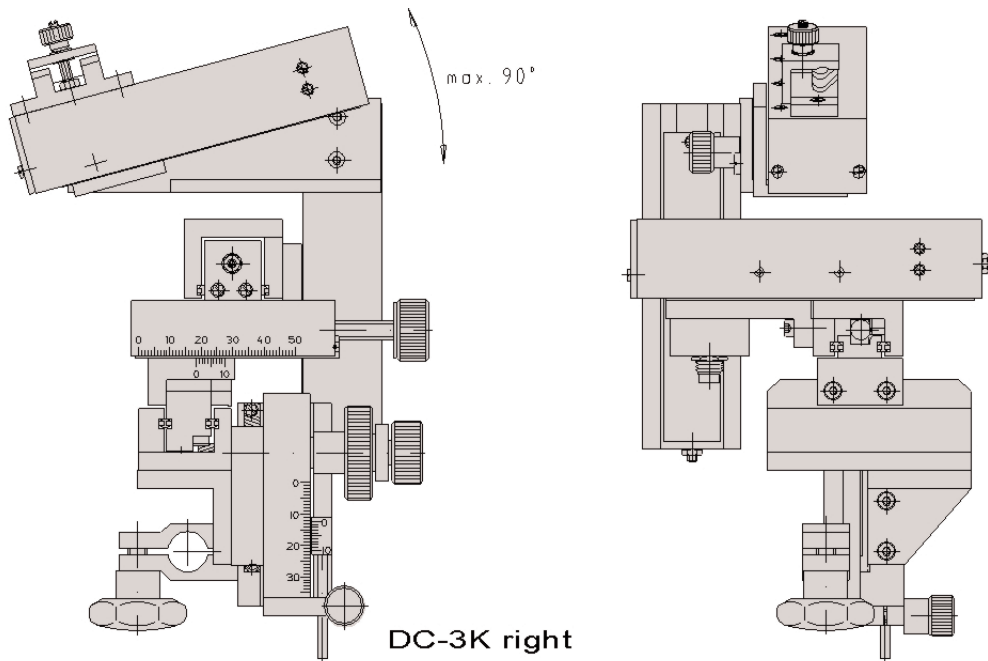


Micromanipulators

DC-3K

3 axes motor drive



Specifications

Order information

DC - 3K, right-sided  
Part No.: 00-45-201-0000  
DC - 3K, left-sided  
Part No.: 00-45-202-0000

Accessories

MS 314 push-button controller  
Part No.: 00-75-220-0814  
Remote control for MS 314  
Part No.: 00-75-220-1814  
STM 3 joystick controller  
Part No.: 00-75-220-0804

The micromanipulator DC-3K offers the possibility for manual or motorized operation of all three axes (X, Y, and Z). The motorized fine positioning of the electrode is very smooth and possible without the interference of electronic noise, even in sub-micron range.

The manual part is equivalent to our MM33 with additional Z-axis stop. The motorized movement ensues through three fine adjustment slides with built-in DC-motors and micrometer spindle with readout resolution 10 µm. The motorized X-axis can be tilted by 90° which allows an easy positioning of capillaries, electrodes, etc. The DC-3K includes a 1/2 inch mounting clamp.

<b>Manual version:</b> (Travel range / readout)	X-axis = 37 mm / 0,1 mm Y-axis = 20 mm / 0,1 mm Z-axis = 20 mm / 0,1 mm
<b>Motorized version:</b> (Travel range / readout)	X-axis = 10 mm / 10 µm Y-axis = 10 mm / 10 µm Z-axis = 10 mm / 10 µm

**Weight:** 1.400 g

For more detailed information, please visit our web-site at: [www.marzhäuser.com](http://www.marzhäuser.com)

Marzhäuser GmbH & Co. KG  
In der Murch 15  
35579 Wetzlar-Steindorf  
Tel.: +49 (0) 64 41/91 16-0  
Fax: +49 (0) 64 41/91 16-40  
eMail: [info@marzhäuser.com](mailto:info@marzhäuser.com)  
[www.marzhäuser.com](http://www.marzhäuser.com)