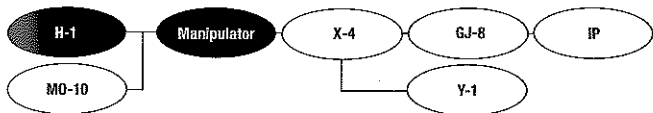


M-3333

Micromanipulator

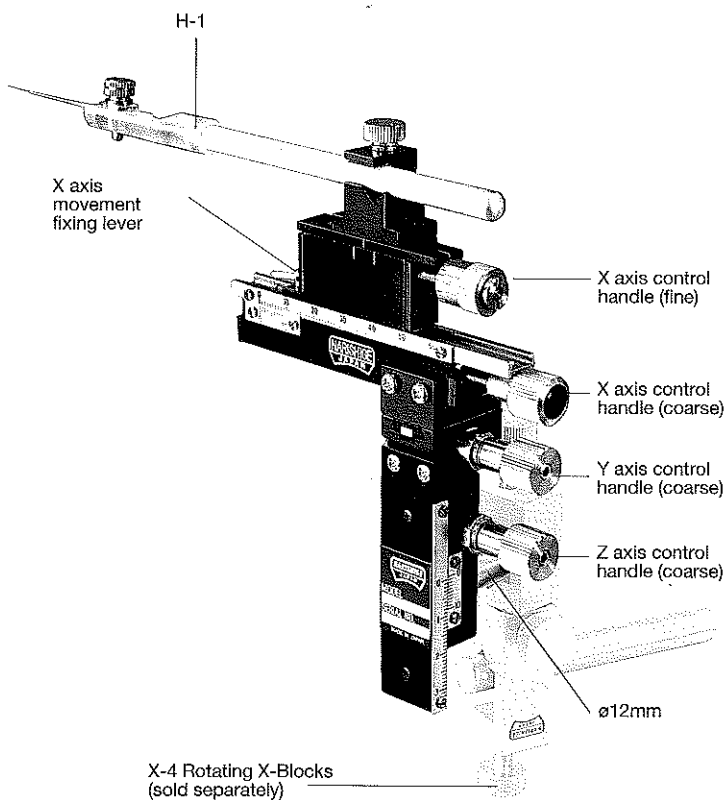
Ultra-thin manipulator body enables multiple recording.

To enable recording from multiple microelectrodes, the body of this model is made as thin as possible, with all the handles positioned in a single direction. Use of the X-4 Rotating X-Blocks (sold separately), makes it possible to place many microelectrodes close together without taking up too much space. It is of course possible to mount a single-axis fine movement unit on the X-axis for a more careful approach to the specimen.



- Use X-4 X-blocks and GJ-8 magnetic stand or equivalent equipment to attach this model.
- Changing the H-1 that attaches the manipulator to optional oil hydraulic micromanipulator such as MO-10 enables remote controlled X axis fine movement.

Accessories	H-1 Electrode Holder, Allen Wrench	
Movement range	Coarse	X40mm, Y12mm, Z30mm
	Fine	X7mm, Full rotation of knob: 250µm Minimum graduation: 10µm
Dimensions/Weight	W126 X D43 X H145mm, 340g	



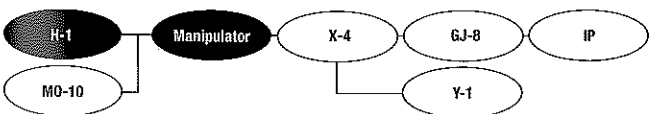
MN-3333

Group-2

Manipulator

Simple coarse manipulator with thin body.

Excluding the fine movement unit on the X-axis, this coarse manipulator is the same as the M-3333, which is designed as thin as possible to enable recording with multiple microelectrodes. The X-4 Rotating X-Blocks (sold separately) can be used to place many microelectrodes close together without occupying too much space.



- Use X-4 X-blocks and GJ-8 magnetic stand or equivalent equipment to attach this model.
- Changing the H-1 that attaches the manipulator to optional oil hydraulic micromanipulator such as MO-10 enables remote controlled X axis fine movement.

Accessories	H-1 Electrode Holder, Allen Wrench	
Movement range	Coarse	X40mm, Y12mm, Z30mm
	Fine	X7mm, Full rotation of knob: 250µm Minimum graduation: 10µm
Dimensions/Weight	W126 X D43 X H125mm, 260g	

