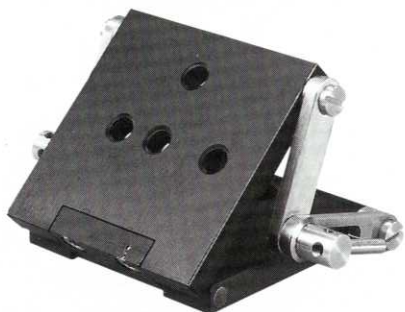


NMN-A

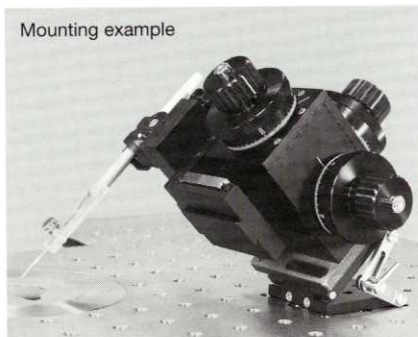
Tilting Stand

Attached with the NMN-21, this tilting stand makes it possible to incline a manipulator at any angle up to 45 degrees, and drive it in the same direction as the electrodes.

| | |
|--------------------|-------------------------|
| Accessory included | Allen Wrench |
| Dimensions/Weight | W50 X D80 X H14mm, 120g |



Mounting example

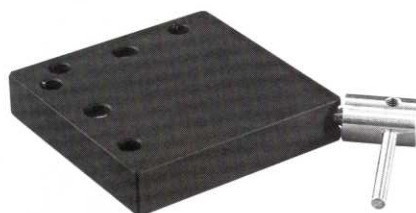


NMN-B

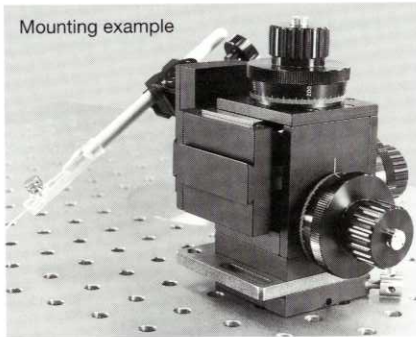
Rotating Adjustable Clamp

Used with the NMN-21 micromanipulator, this convenient unit allows easy and quick microelectrode and specimen exchange.

| | |
|--------------------|-------------------------|
| Accessory included | Allen Wrench |
| Dimensions/Weight | W64 X D64 X H10mm, 120g |



Mounting example



NMN-C

Magnetic stand

This magnetic stand is specially designed for use with the NMN-21. Compact design requiring minimum space, and free installation, e.g. on an isolation table.

| | |
|--------------------|-------------------------|
| Accessory included | Allen Wrench |
| Dimensions/Weight | W50 X D65 X H30mm, 500g |



Mounting example



UST-2

Solid Universal Joint

This universal joint is attached to the NMN-21 and ensures strong, stable fixing. Horizontal and vertical rotations are controlled with a single knob, making it easy to set many different microelectrodes at any selected angle.

| | |
|--------------------|-------------------------|
| Accessory included | Allen Wrench |
| Dimensions/Weight | W70 X D35 X H60mm, 220g |



UST-3

Solid Universal Joint

This universal joint is also used with the NMN-21 and provides very dependable fixing. The use of scales for reading the tilting angles allow very accurate angle setting, limited to the vertical plane.

| | |
|--------------------|-------------------------|
| Accessory included | Allen Wrench |
| Dimensions/Weight | W52 X D52 X H55mm, 120g |



Mounting example

